

PRODUCTS

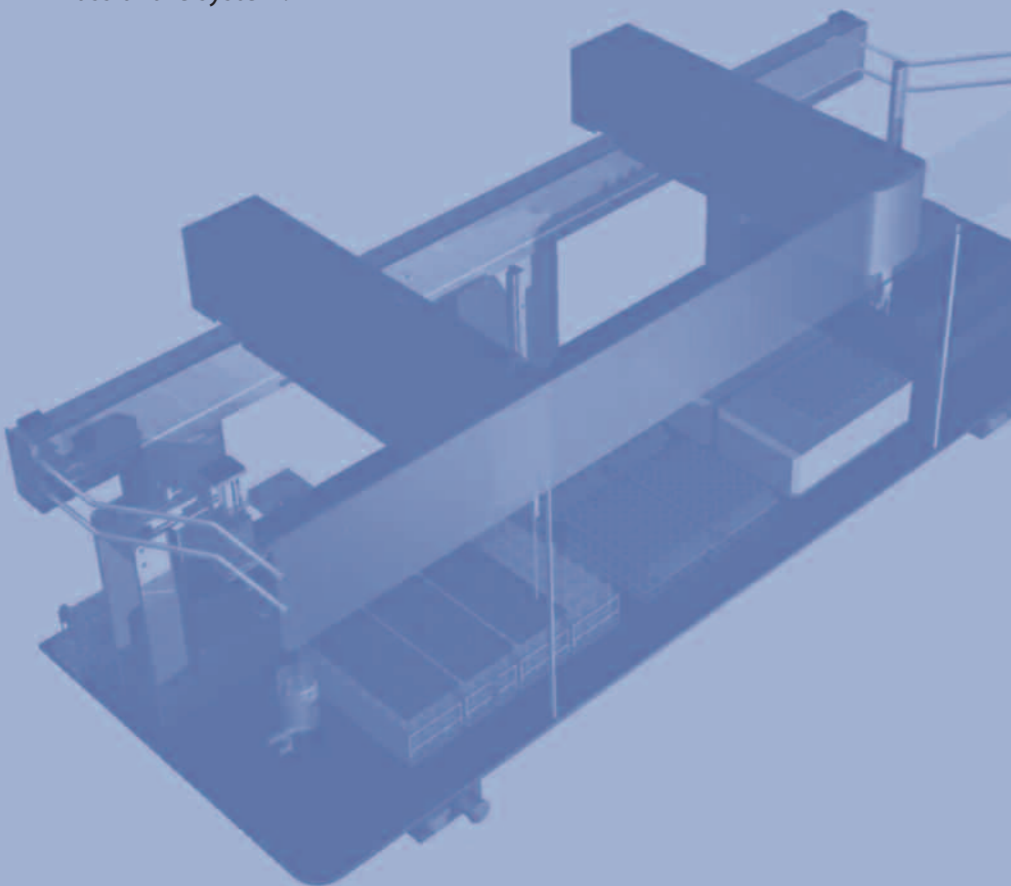
- **Measuring system**
- **XYZ system**

Measuring system

All MEPP has developed a thickness measurement system especially for the silicon and printing industry, which can measure with an accuracy of 1 μm and has no contact with the substrate. This no-contact principle works with clean, compressed air.

XYZ system

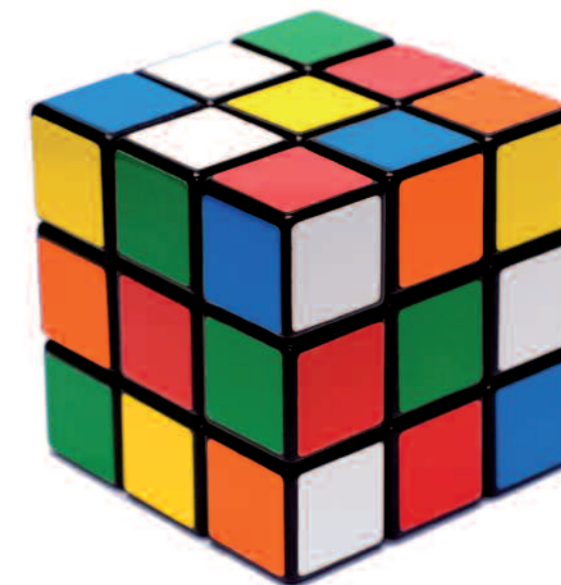
All MEPP has developed a standard, low-cost XYZ system, which can be made in any dimension less than 1200 mm. We are able to make high-speed movements with high accuracy with this unique design, which mounts the motors on the base frame. This design strongly reduces the mass of the system.



All Mechatronical Engineering Projects & Prototyping



All Mechatronical Engineering Projects & Prototyping

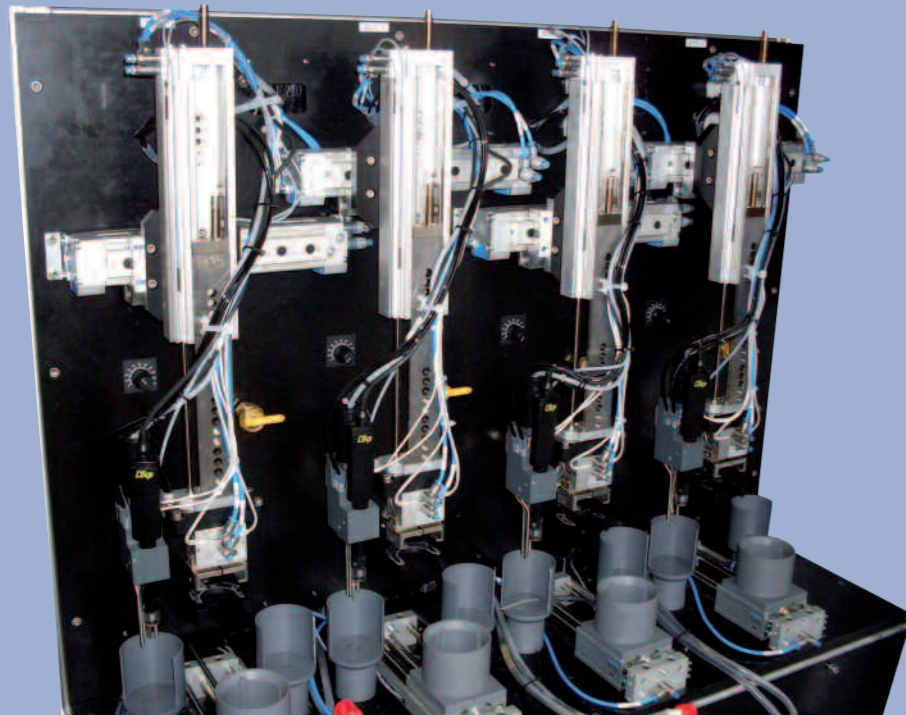


AII MEPP BV

Avignonlaan 23
5627 GA Eindhoven
The Netherlands
Tel: +31 40 24 88 505
Fax: +31 40 25 68 001
Website: www.allmepp.nl
E-mail: info@allmepp.nl

WE KNOW THE SOLUTION!

All MEPP is an engineering company specialized in mechatronics. We offer high-tech solutions in product development, product innovation and machine building.



All MEPP is experienced in developing precision engineering solutions that perform under extreme conditions.

All MEPP maintains a well-equipped production facility, so we can build what we design! We also retain a reliable network of contractors to ensure that no question remains unanswered.

Our goal is to serve the customer during the whole project, which means that we also integrate their system anywhere in the world.

SPECIAL SKILLS

- **Handling**
- **Product development**
- **Automotive**
- **Consultancy**
- **Products**

Handling

We have built up substantial knowledge and experience in handling special products over many years. We have designed and built high-tech pick and place systems for solar cells, Oleds, ICs, liquid samples and other tender products.

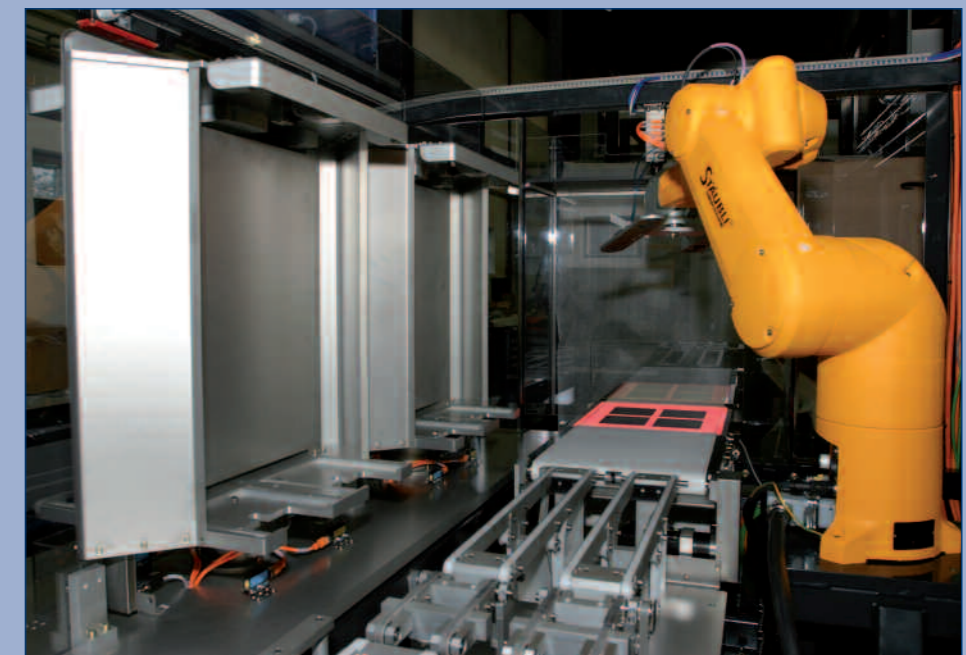
Product development

All MEPP's product development division offers the right skill for the right job. Examples and experience in products are lithographic systems, X-ray systems, tabletop microscopes and medical products.



Automotive

The key issue in Automotive Mechatronics will be to establish progress in car systems, e.g. drive train innovations, motor management and environment control. The connection with this market is a logical one for All MEPP. Our mechatronical experts can design and build system prototypes, 0-series and tooling for this special market.



Consultancy

All MEPP has special experts who can be consulted for a specific problem for a short or longer period. We offer a flexible shell for our customers. Experts who can be hired are engineers in several disciplines or project managers.

